

Specification sheet LX 3046

Roof Drainage
LORO-DRAINJET® Mini DN 70
weir height 60 mm
in box gutter from 150 mm

Emergency drainage

Siphonic flow

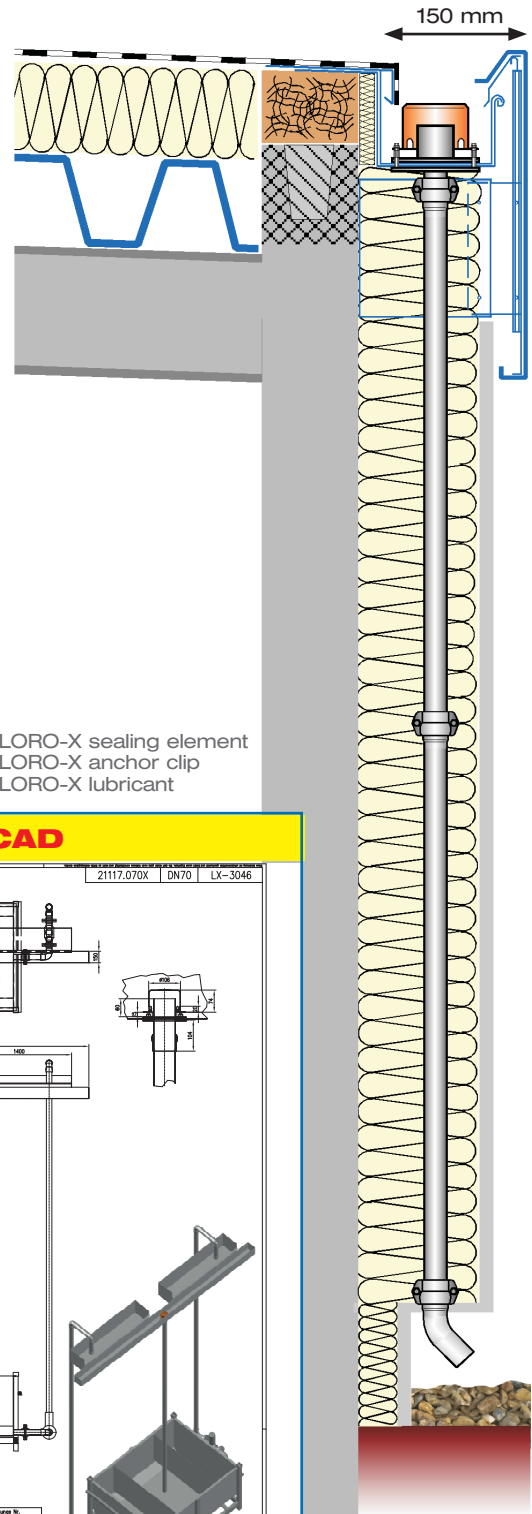
Silent Power

Discharge rate:	13.2 l/s
Water height:	95 mm
Roof penetration:	-
Diameter:	DN 70
LX-Number:	LX 3046
Weir height:	60 mm
Drain:	not ventilated
Downpipe:	not ventilated
Downpipe height:	4.2 m
Drainage:	into the open
Flange:	clamping flange

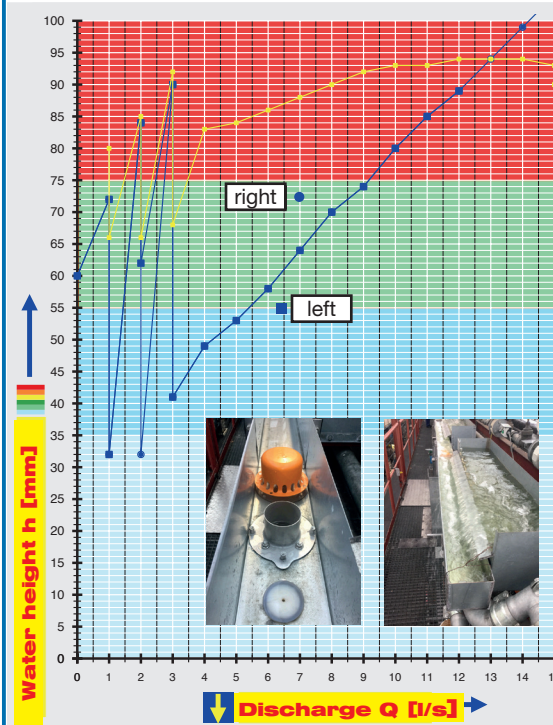
LX 3046 Piece list

1 x Art.-No. 21117.070X, DRAINJET® Mini DN 70
 1 x Art.-No. 00320.070X, LORO-X bend
 1 x Art.-No. 01011.070X, LORO-X pipe with one socket

2 x Art.-No. 00911.070X, LORO-X sealing element
 2 x Art.-No. 00806.070X, LORO-X anchor clip
 1 x Art.-No. 00986.000X, LORO-X lubricant

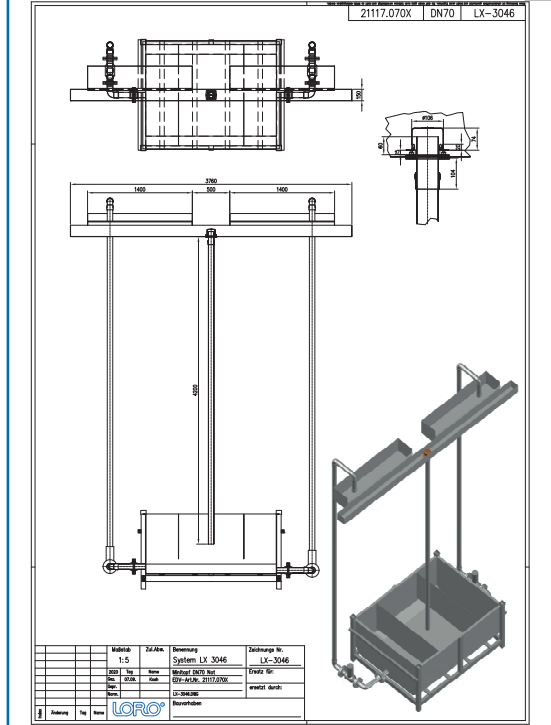


hQ - Discharge curve



System power

CAD



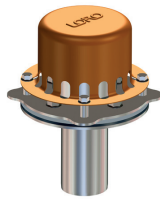
System shape

Water height	mm	20	25	30	35	40	45	50	55	60	65	70	75	80	85	90	95	100
Discharge	l/s	-	-	-	-	-	-	-	-	-	-	-	1.8	1.9	2.8	12.2	13.2	14.2
Silent Power																		

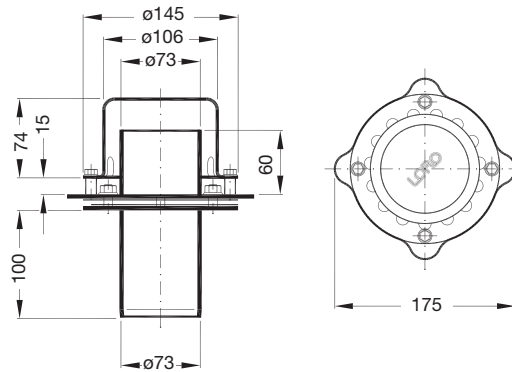
LORO-DRAINJET® Mini, DN 70

LORO-X DRAINJET® Mini

with clamping flange for
weir height 60 mm,
box gutter
drain: Art.-No. 21117.070X



LX3046-5X



LORO-X bend 45°

made of galvanized steel, DN 70
Art.-No. 00320.070X
weight: 0.8 kg



LORO-X pipe with one socket

made of galvanized steel, DN 70
4000 mm long
Art.-No. 01011.070X
weight: 12.0 kg



LORO-X anchor clip

made of galvanized steel, DN 70
Art.-No. 00806.050X
weight: 0.3 kg



LORO-X sealing element

Art.-No. 00911.070X
weight: 0.2 kg

